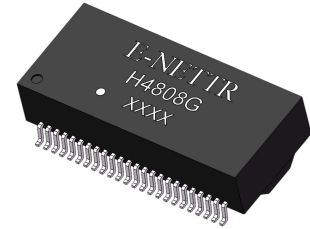




# E-NETTR 10/100/1000Base-T DUAL Port Transformer Module

**P/N: H4808G**

- \* Designed to meet IEEE802.3at requirement
- \* Lead-Free & Designed to meet RoHS requirement
- \* Designed to meet IR 255°C peak Requirement.
- \* Primary inductance 350μH min. with 8mA DC Bias
- \* Operating temperature range: -40°C to +85°C
- \* POE applications with 720mA current capability



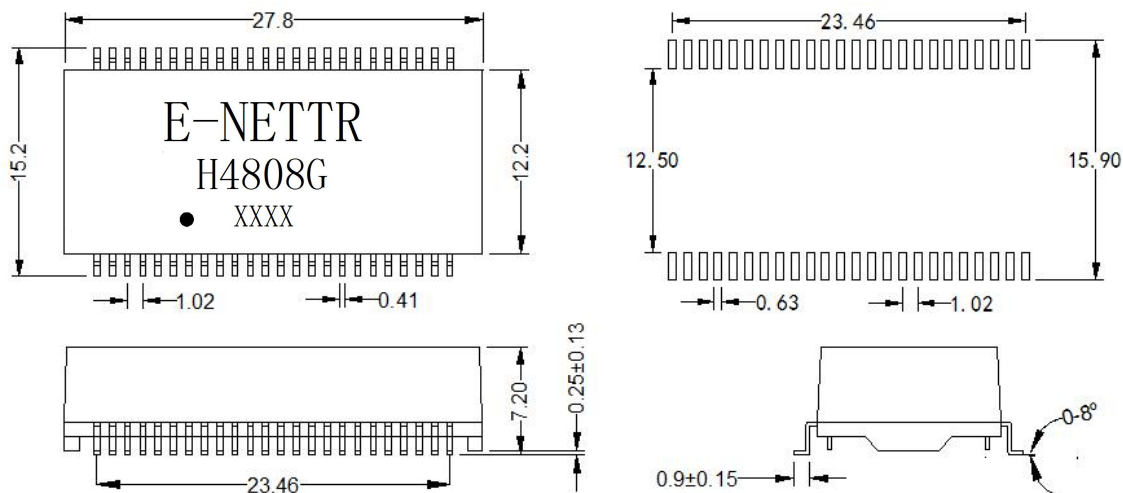
## Electrical Specifications@25° C

Part Number	Turn Ratio (±3%)	OCL(uH Min) @100KHz/0.1V with 8mA DC Bias	L.L (uH Max)	C <sub>w/w</sub> (pF Max)	DCR (Ω Max)	Hi-Pot (Vrms MIN)
H4808G	1CT:1CT	350	0.5	28	0.9	AC 1500 / 1mA

## Continue

Part Number	Insertion Loss 0.3~100MHZ (dB Max)	Return Loss (dB Min)				Cross Talk (dB Min)		DCMR (dB Min)		
		0.3-30MH	60MHz	80MHz	100MHz	0.3-60MHz	60-100MHz	0.3-30MHz	60MHz	100MHz
H4808G	-1.1	-18	-14	-12	-10	-42	-35	-40	-35	-30

## Mechanical

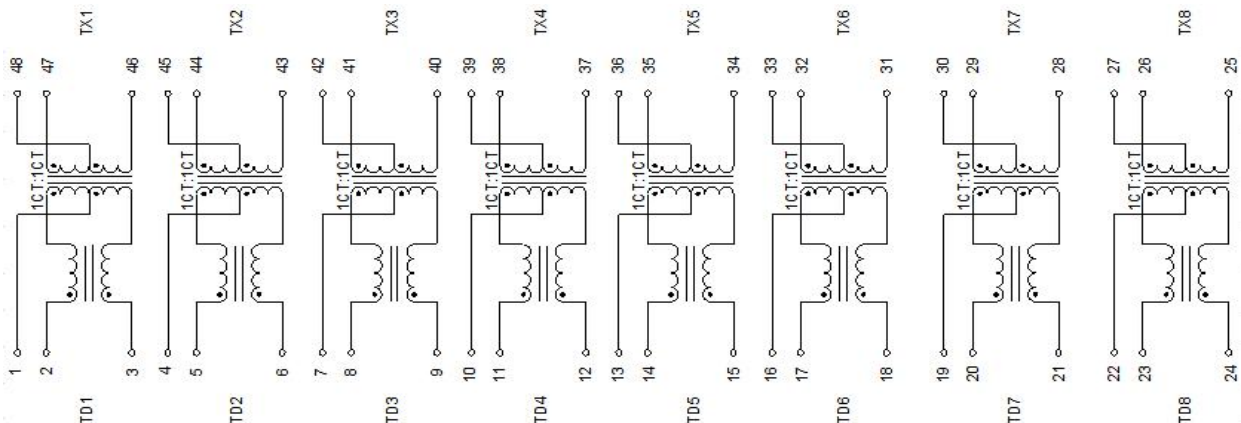


Dimensions: mm

Unless otherwise specified tolerances: xx.xo ± 0.25mm

o.xx ± 0.05mm

## Schematics



东莞市祥星电子有限公司

地址: 东莞市石碣镇横滘科技中路第三工业区

TEL:0769-86384669

FAX:0769-81813600

Http://www.e-nettr.com

[xxing.guang@163.com](mailto:xxing.guang@163.com)