

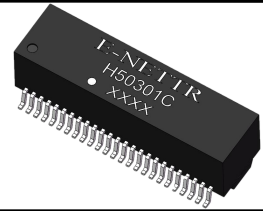


**E-NETTR**

**1000Base-T Magnetics Modules**

**P/N: H50301C**

- \* Meets IEEE 802.3 specification.
- \* Primary inductance 350uH Min with 8mA DC Bias
- \* RoHS and Halogen Free compliant
- \* Operating Temperature Range -40°C to +85°C
- \* Storage temperature range:-40°C to +85°C



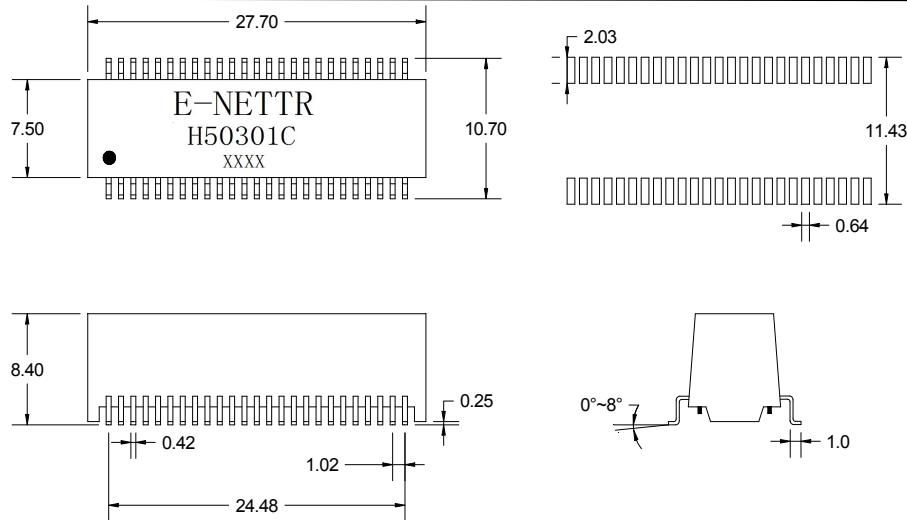
**Electrical Specifications@25° C**

Part Number	Turn Ratio (±3%)	OCL(uH Min) @ 100KHz/0.1V with 11mA DC Bias	L.L (uH Max)	C <sub>w/w</sub> (pF Max)	DCR (Ω Max)	Hi-Pot (Vrms MIN)
H50301C	1CT:1CT	150	0.5	28	0.9	AC 1500V/ 1mA

**Continue**

Part Number	Insertion Loss (dB Max)		Return Loss (dB Min)			Cross Talk (dB Min)		DCMR (dB Min)	
	1-100MHz	100-125MHz	0.3-40MHz	100MH	125MHz	1-100MHz	125MHz	1-100MHz	125MHz
H50301C	-1.0	-1.5	-16	-10	-6	-30	-25	-30	-25

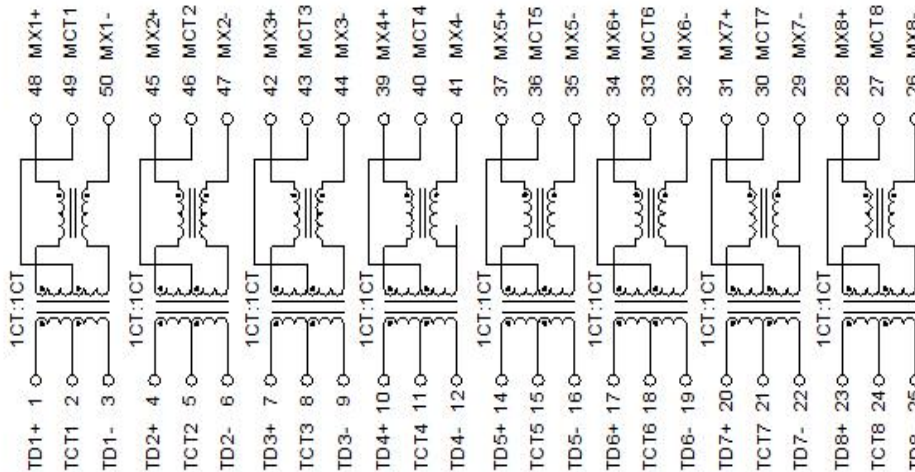
**Mechanical**



Dimensions: mm

Unless otherwise specified tolerances: xx.xo ± 0.25mm  
o.xx ± 0.05mm

**Schematics**



东莞市祥星电子有限公司

地址: 东莞市石碣镇横滘科技中路第三工业区

TEL:0769-86384669

FAX:0769-81813600

Http://www.e-nettr.com

[xxing.guang@163.com](mailto:xxing.guang@163.com)