

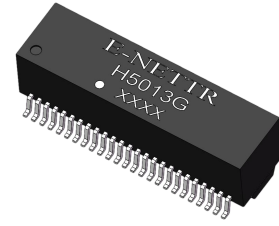


**E-NETTR**

**1000Base-T DUAL Port Through hole Magnetics**

**P/N: H5013G**

- \* Meets IEEE 802.3at specification.
- \* Primary inductance 350uH Min with 8mA DC Bias
- \* RoHS and Halogen Free compliant
- \* Operating Temperature Range -40°Cto+85°C
- \* Storage temperature range:-40°Cto+85°C
- \* PoE applications with 720mA current capability



**Electrical Specifications@25° C**

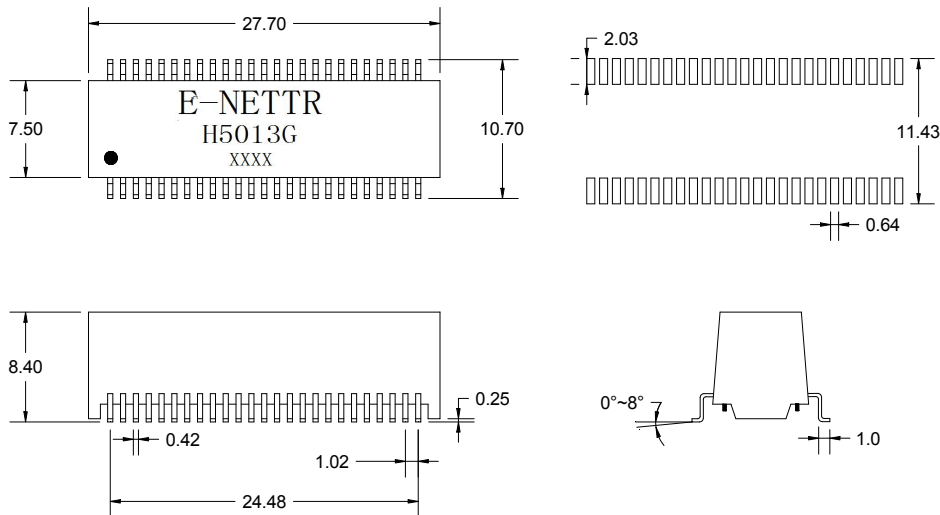
Part Number	Turn Ratio (±3%)	OCL(uH Min) @ 100KHz/0.1V with 8mA DC Bias	L.L (uH Max)	C <sub>w/w</sub> (pF Max)	DCR (Ω Max)	Hi-Pot (Vrms MIN)
H5013G	1CT:1CT	350	0.5	28	1.0	AC 1500 1mA

**Continue**

Part Number	Insertion Loss 0.3~100MHZ (dB Max)	Return Loss (dB Min)				Cross Talk (dB Min)			DCMR (dB Min) 0.3-100MHz
		0.3-40MH	60MHz	80MHz	100MHz	0.3-30MHz	60MHz	100MHz	
H5013G	-1.1	-18	-14	-12	-10	-40	-35	-30	-30

**Mechanical**

**Mechanical**

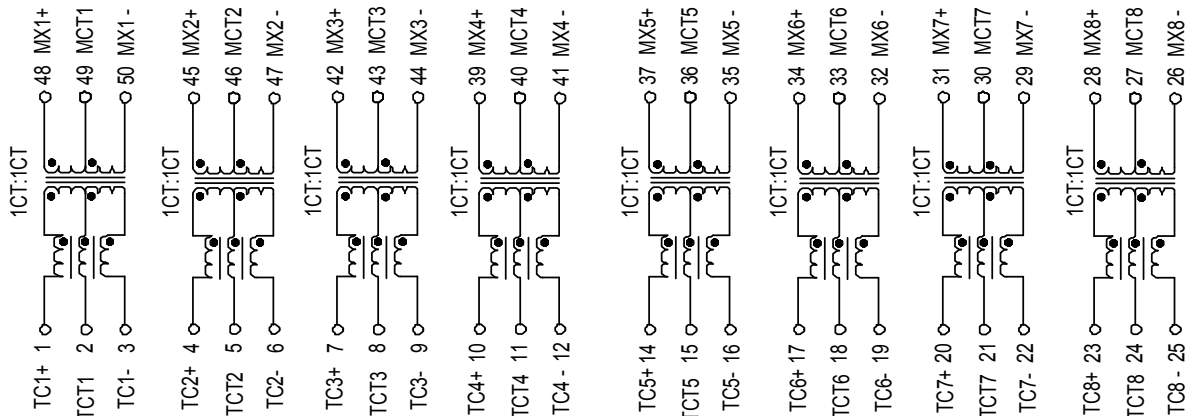


Dimensions: mm

Unless otherwise specified tolerances: xx.xo ± 0.25mm

o.xx ± 0.05mm

**Schematics**



东莞市祥星电子有限公司

地址：东莞市石碣镇横滘科技中路第三工业区

TEL:0769-86384669

FAX:0769-81813600

Http://www.e-nettr.com

[wxing.guang@163.com](mailto:wxing.guang@163.com)