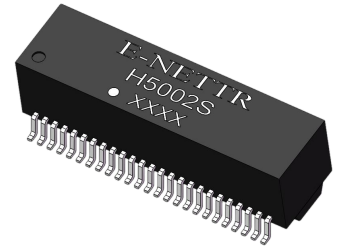




E-NETTR 10/100/1000Base-T DUAL Port Transformer Module

P/N: H5002S

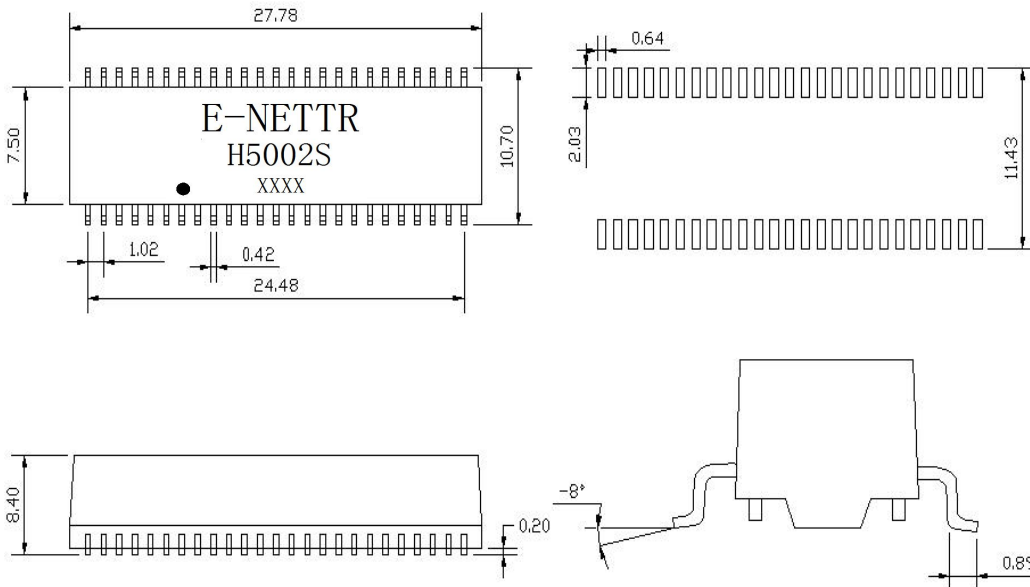
- * IEEE 802.3ad/ANSI X3.263 compliant performance
- * Designed for IP phone or switch applications
- * Lead-Free & Designed to meet RoHS requirement
- * Designed to meet IR 255°C peak Requirement.
- * Primary inductance 350uH min with 8mA DC Bias
- * Operating Temperature Range -40°Cto+85°C
- * Storage temperature range:-40°Cto+85°C



Electrical Specifications@25°C

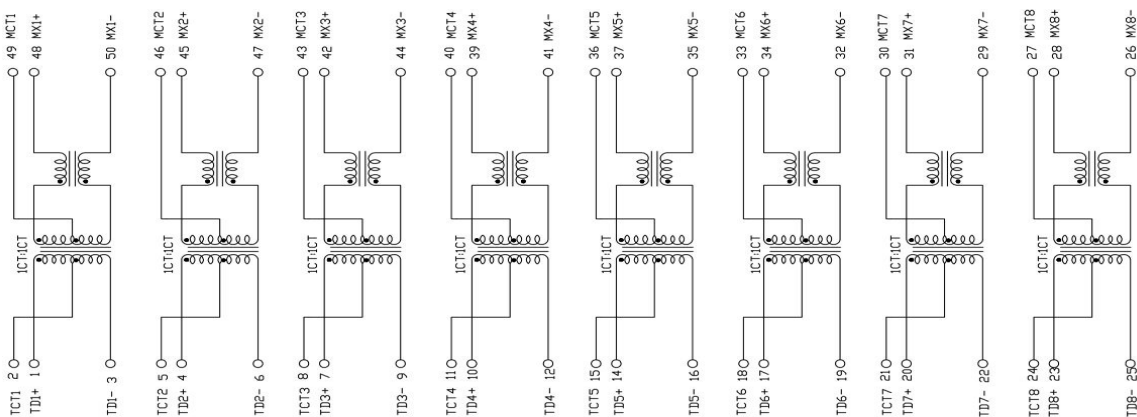
Part Number	Turn Ratio (±3%)		Insertion Loss 1~100MHz (dB Max)	Return Loss (dB Min)				Cross Talk (dB Min)			DCMR (dB Min)		DCR (Ω Max)	Hi-Pot (Vrms MIN)
	TX	RX		1-30MHz	40-60MHz	60-80MHz	100MHz	30MHz	60MHz	100MHz	1-60MHz	60-100MHz		
H5002S	1:1	1:1	-1.0	-18	-13.1	-12	-10	-35	-30	-30	-40	-35	1.2	1500

Mechanical



Unless otherwise specified tolerances: xx.xo ± 0.25mm
o.xx ± 0.05mm

Schematics



东莞市祥星电子有限公司

地址：东莞市石碣镇横滘科技中路第三工业区

TEL:0769-86384669

FAX:0769-81813600

Http://www.e-nettr.com

xxing.guang@163.com