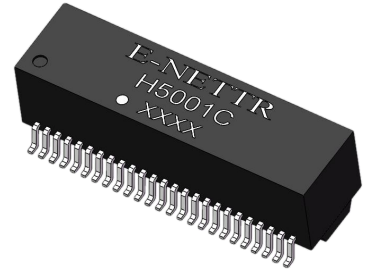




# E-NETTR 10/100/1000Base-T DUAL Port Transformer Module

P/N: H5001C

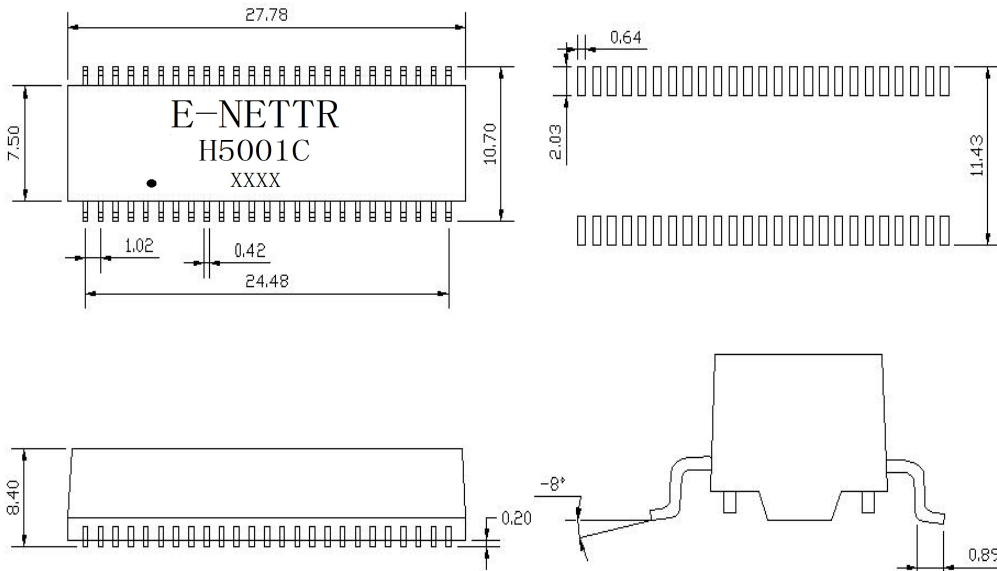
- \* IEEE 802.3ad/ANSI X3.263 compliant performance
- \* Designed for IP phone or switch applications
- \* Lead-Free & Designed to meet RoHS requirement
- \* Designed to meet IR 255°C peak Requirement.
- \* Primary inductance 350uH min with 8mA DC Bias
- \* Operating Temperature Range -40°Cto+85°C
- \* Storage temperature range:-40°Cto+85°C



## Electrical Specifications@25°C

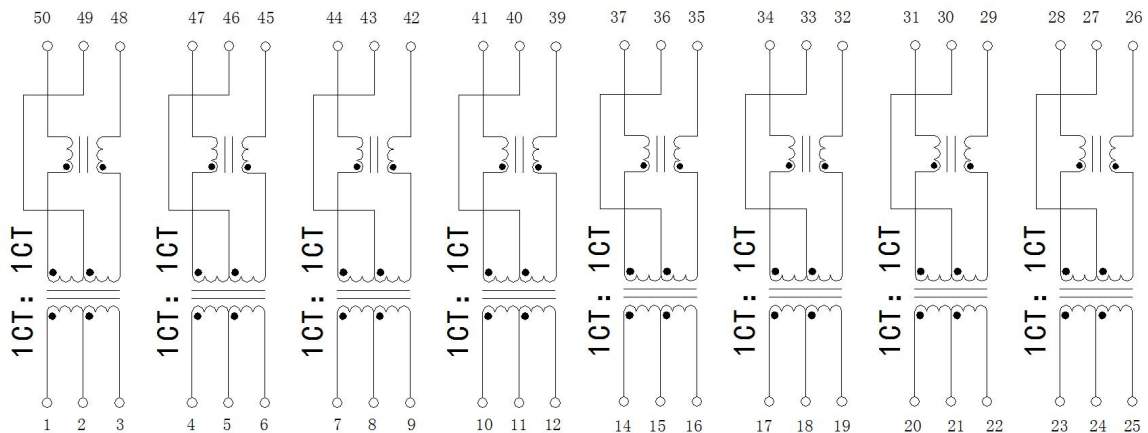
Part Number	Turn Ratio (±3%)		Insertion Loss 1~100MHz (dB Max)	Return Loss (dB Min)				Cross Talk (dB Min)			DCMR (dB Min)		DCR (Ω Max)	Hi-Pot (Vrms MIN)
	TX	RX		1-30MHz	40-60MHz	60-80MHz	100MHz	30MHz	60MHz	100MHz	1-60MHz	60-100MHz		
H5001C	1:1	1:1	-1.0	-18	-13.1	-12	-10	-35	-30	-30	-40	-35	1.2	1500

## Mechanical



Unless otherwise specified tolerances: xx.xo ± 0.25mm  
o.xx ± 0.05mm

## Schematics



东莞市祥星电子有限公司

地址：东莞市石碣镇横滘科技中路第三工业区

TEL:0769-86384669

FAX:0769-81813600

Http://www.e-nettr.com

[xxing.guang@163.com](mailto:xxing.guang@163.com)