



E-NETTR 2.5G Base-T DUAL Port Transformer Module

P/N: H48301C

- * Designed to meet IEEE 802.3at requirement
- * Lead-Free & Designed to meet RoHS requirement
- * Designed to meet IR255°C peak requirement
- * Operating temperature range -40°C to +85°C
- * Storage temperature range: -40°C to +85°C
- * POE applications with 1.2A current capability

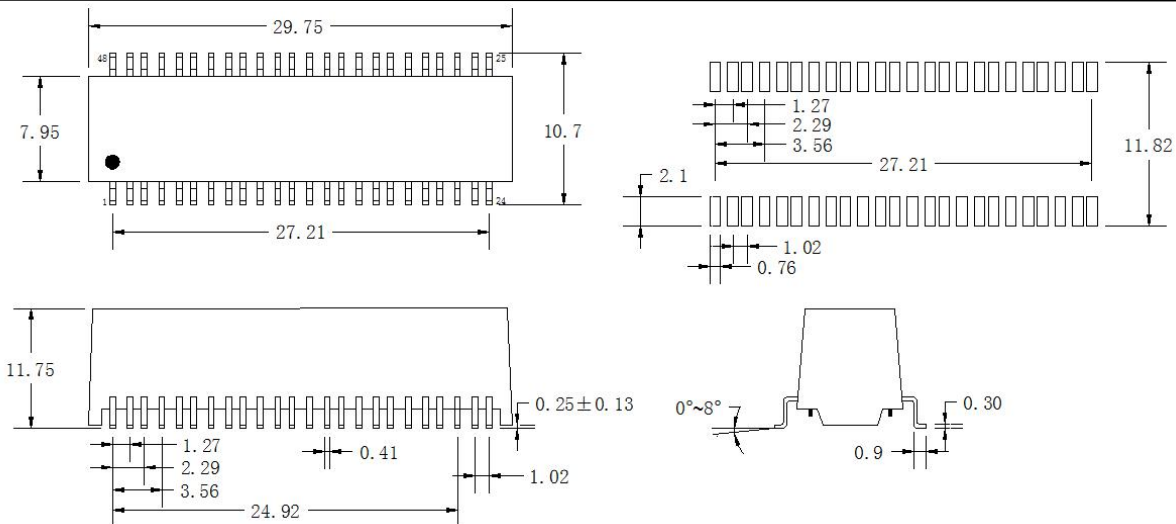
Electrical Specifications @ 25°C

Part Number	Turn Ratio	OCL(uH Min) @ 100KHz/0.1V with 0mA DC Bias	L.L (uH Max)	C _{w/w} (pF Max)	DCR (Ω Max)	Hi-Pot (Vrms MIN)
H48301C	1CT:1CT	180	0.5	35	1.6	AC1500V / 1mA/1S

Continue

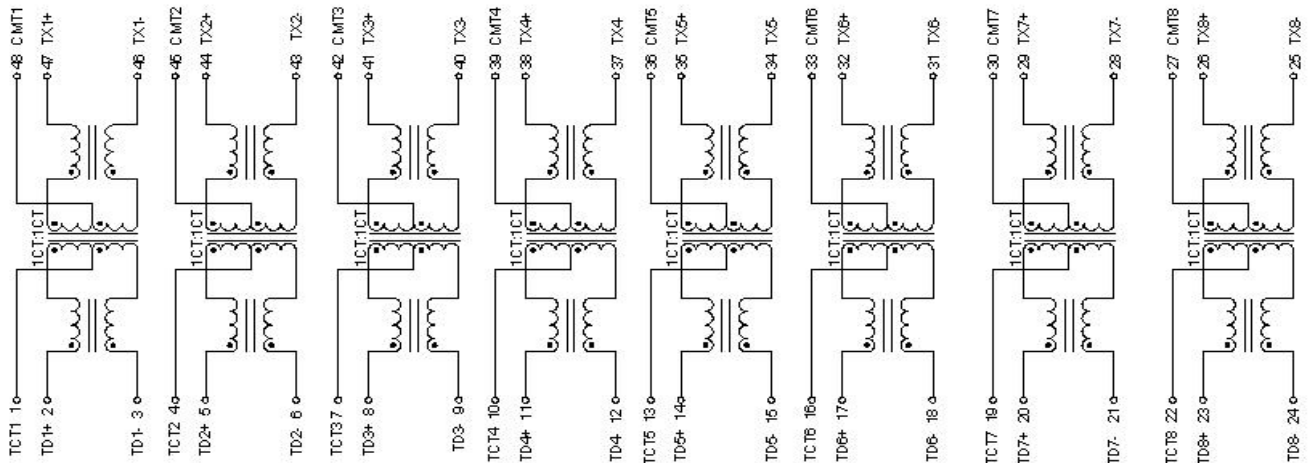
Part Number	Insertion Loss (dB Max)		Return Loss (dB Min)		Cross Talk (dB Min)		DCMR (dB Min)
	1-100MHz	100-125MHz	0.3-40MHz	40-125MHz	1-40MHz	40-125MHz	
H48301C	-1.0	-1.5	-18	-18+15*log(f/40)	-35	-35+15*log(f/40)	-30

Mechanical



Unless otherwise specified tolerances: xx.x0 ± 0.25mm
o.xx ± 0.05mm

Schematics



POE 端

东莞市祥星电子有限公司

地址：东莞市石碣镇横滘科技中路第三工业区

TEL:0769-86384669

FAX:0769-81813600

Http://www.e-nettr.com

xxing.guang@163.com