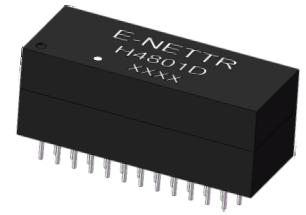




# E-NETTR 10/100/1000Base-T Dual Port Transformer Module

P/N: H4801D

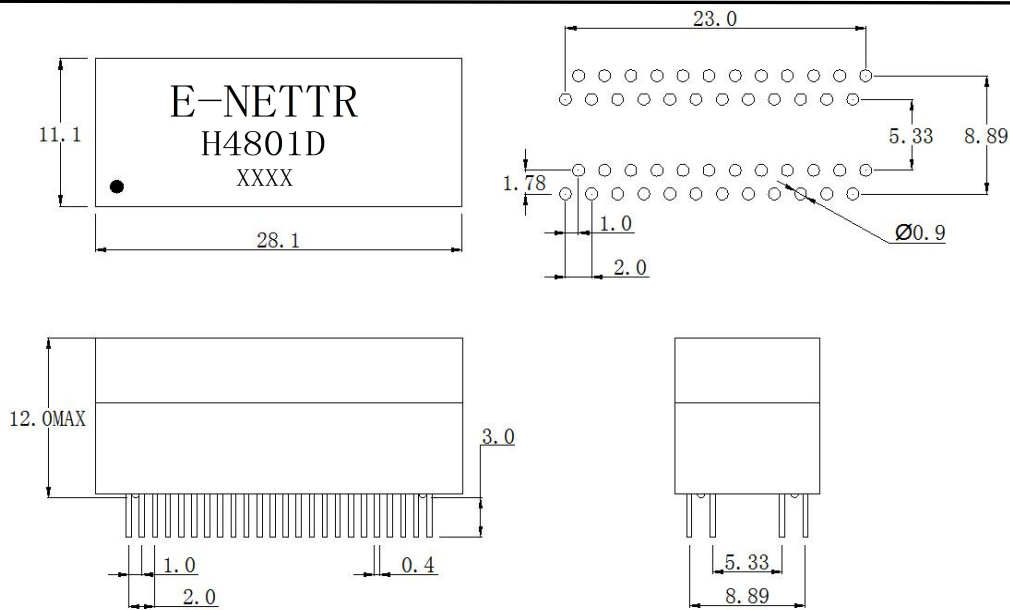
- \* Designed to meet IEEE802.3ab and ANSI X3.263 requirement
- \* Lead-Free & Designed to meet RoHS requirement
- \* Primary inductance 350uH Min with 8mA DC Bias
- \* Operating Temperature Range -40°Cto+85°C
- \* Storage temperature range:-40°Cto+85°C



## Electrical Specifications@25°C

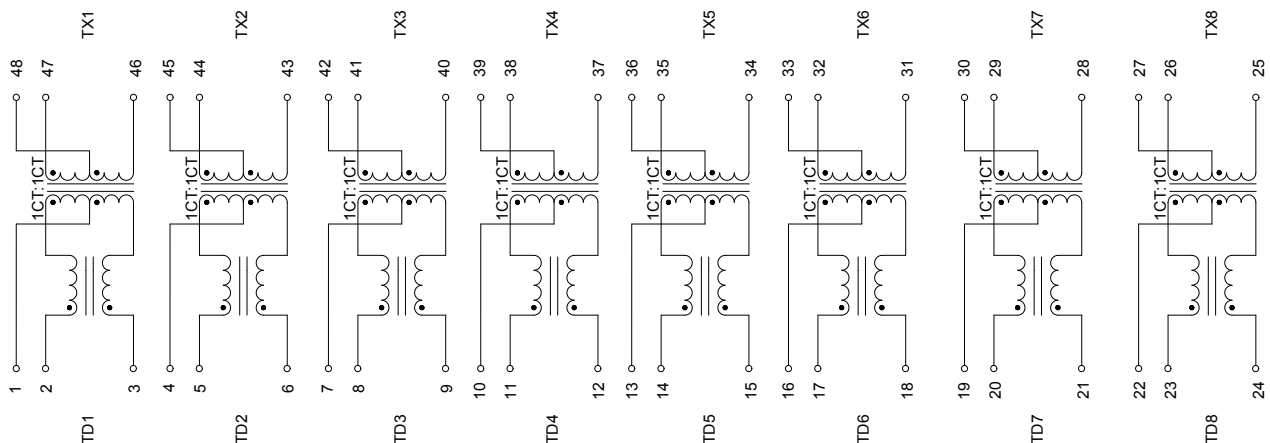
Part Number	Turn Ratio (±3%)	Insertion Loss 1~100MHz (dB Max)	Return Loss (dB Min)				Cross Talk (dB Min)			DCMR (dB Min)			Hi-Pot (Vrms MIN)
			1-40MHz	60MHz	80MHz	100MHz	30MHz	60MHz	80-100MHz	30MHz	60MHz	100MHz	
H4801D	1CT:1CT	-1.0	-16	-13	-12	-10	-45	-40	-32	-40	-35	-32	1500

## Mechanical



Dimensions: Inches/mm  
 Unless otherwise specified tolerances: xx.xo ± 0.25mm  
 o.xx ± 0.05mm

## Schematics



东莞市祥星电子有限公司

地址: 东莞市石碣镇横滘科技中路第三工业区

TEL:0769-86384669

FAX:0769-81813600

Http://www.e-nettr.com

[xxing.guang@163.com](mailto:xxing.guang@163.com)