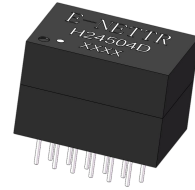




NETTR 2.5G/5GBase-T Transformer module

P/N: H24504D

- * Compliant With IEEE 802.3at Standard For 2.5/5G BASE-T.
- * Suitable for End-span POE applications with 720mA Current Capability.
- * Designed to meet IR 255°C peak Requirement.
- * Compliant with Halogen Free&RoHS requirements.
- * Operating temperature range: -40°C to +85°C



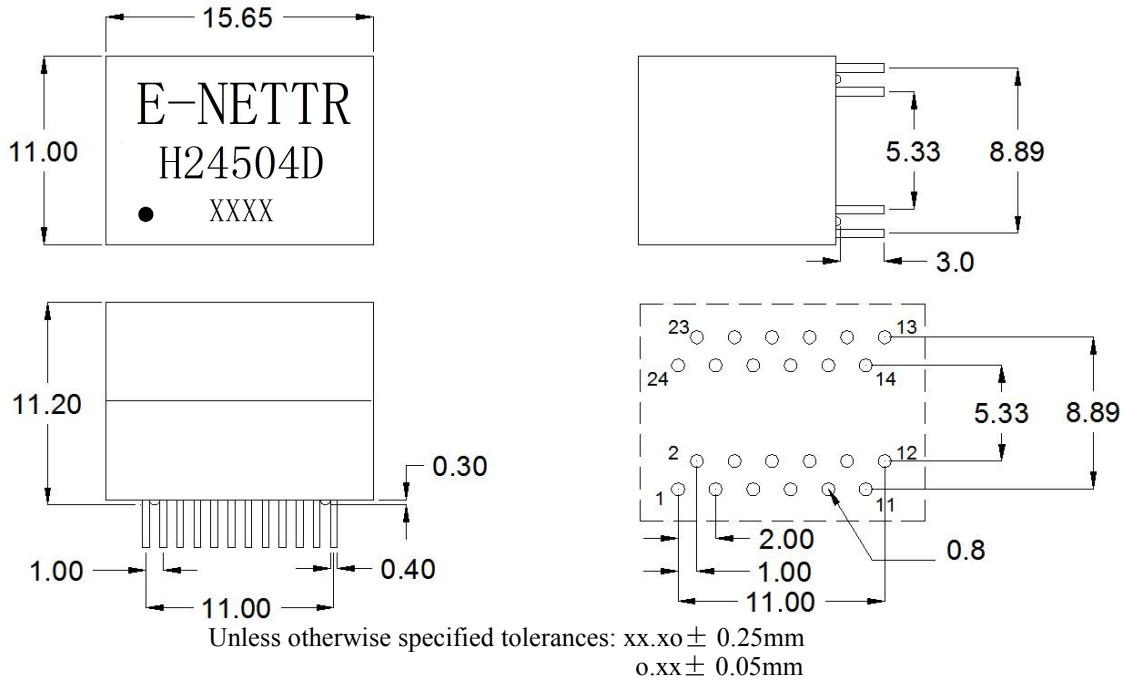
Electrical Specifications@25° C

| Part Number | Turn Ratio (±5%) | OCL(uH Min) @100KHz/0.1V | L.L (uH Max) | C _{w/w} (pF Max) | DCR (Ω Max) | Hi-Pot (Vrms MIN) |
|-------------|------------------|--------------------------|--------------|---------------------------|-------------|-------------------|
| H24504D | 1CT:1CT | 180 | 0.5 | 28 | 1.0 | AC 1500 V/ 1mA |

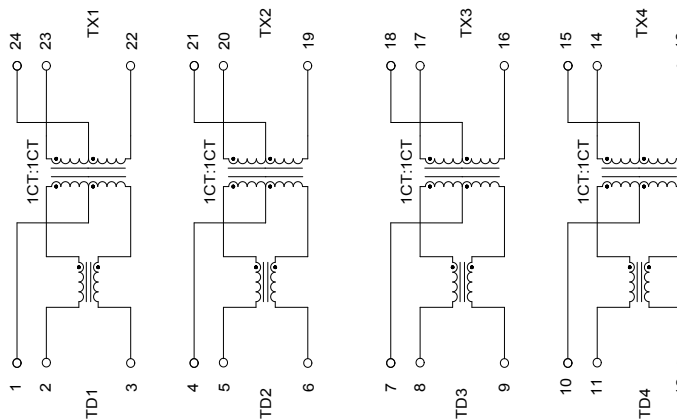
Continue

| Part Number | Insertion Loss (dB Max) | | Return Loss (dB Min) @Load 100 Ω | | Cross Talk (dB Min) | | DCMR (dB Min) | |
|-------------|-------------------------|------------|----------------------------------|--------------------------------|---------------------|-------------|---------------|------------|
| | 1.0-100MHz | 125-250MHz | 0.3-40MH | 40.1-250MHz | 1-100MHz | 125- 250MHz | 1-60MHz | 100-250MHz |
| H24504D | -1.0 | -2.0 | -16 | -16+10Log ₁₀ (f/40) | -45 | -30 | -45 | -30 |

Mechanical



Schematics



东莞市祥星电子有限公司

地址：东莞市石碣镇横滘科技中路第三工业区

TEL:0769-86384669

FAX:0769-81813600

Http://www.e-nettr.com

xxing.guang@163.com