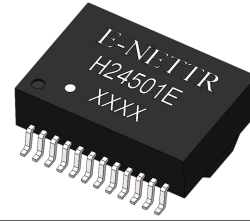




# E-NETTR 2.5G/5G BASE-T Transformer Module

**P/N: H24501E**

- \* Design for 5G ethernet application.
- \* Complying with ROHS requirements.
- \* Designed to meet IR 255°C peak Requirement.
- \* POE applications with 1A current capability.
- \* Operating temperature range:-40°C to +85°C



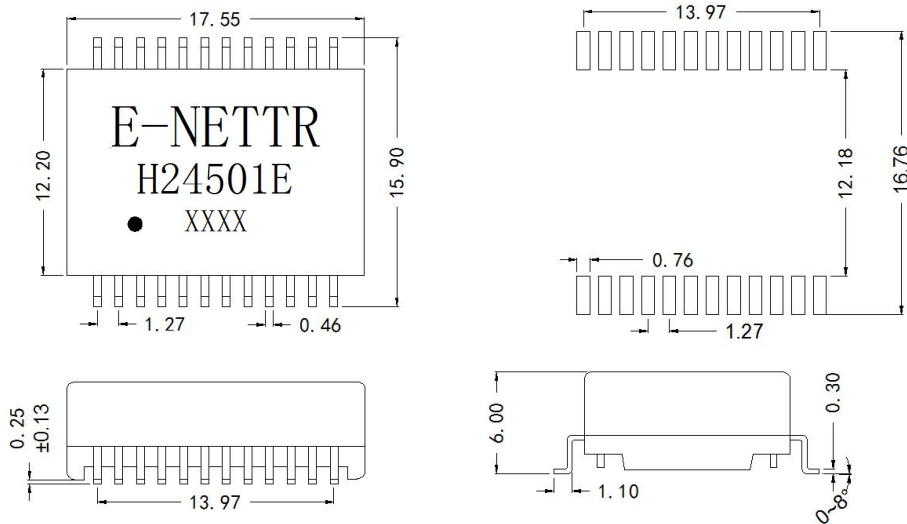
## Electrical Specifications@25° C

Part Number	Turn Ratio (±5%)	OCL(uH Min) @100KHz/0.1V	L.L (uH Max)	C <sub>w/w</sub> (pF Max)	DCR (Ω Max)	Hi-Pot (Vrms MIN)
H24501E	1CT:1CT	180	0.5	28	1.0	AC 1500 V/ 1mA

## Continue

Part Number	Insertion Loss (dB Max)		Return Loss (dB Min)@Load 100 Ω		Cross Talk (dB Min)		DCMR (dB Min)	
	1-100MHz	100.1-250MHz	1-40MH	40.1-250MHz	1-100MHz	100.1- 250MHz	1-30MHz	30.1-250MHz
H24501E	-1.0	-2.0	-16	-16+10Log <sub>10</sub> (f/40)	$20\log_{10}\left[10^{\frac{25.3-15\log_{10}(f/100)}{-20}} + 2 \times 10^{\frac{43-20\log_{10}(f/100)}{-20}}\right]$	-30	-48	-44+19.2 log <sub>10</sub> (f/50)

## Mechanica

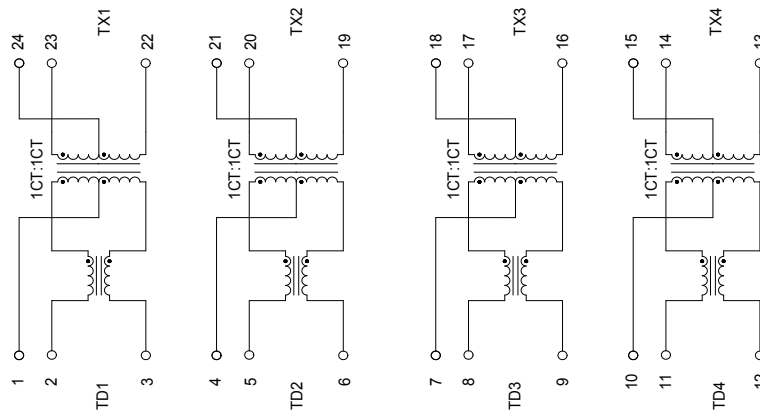


Dimensions: mm

Unless otherwise specified tolerances: xx.xo ± 0.25

o.xx ± 0.05mm

## Schematic



东莞市祥星电子有限公司

地址：东莞市石碣镇横滘科技中路第三工业区

TEL:0769-86384669

FAX:0769-81813600

Http://www.e-nettr.com

[xxing.guang@163.com](mailto:xxing.guang@163.com)