



E-NETTR 2.5G BASE-T Transformer Module

P/N: H24308C

- * Designed to meet IEEE802.3ab requirement
- * Lead-Free & Designed to meet RoHS requirement
- * Designed to meet IR 255°C peak Requirement.
- * Single Port for NIC Application
- * Operating temperature range: -40°C to +85°C
- * Storage temperature range: -40°C to +85°C

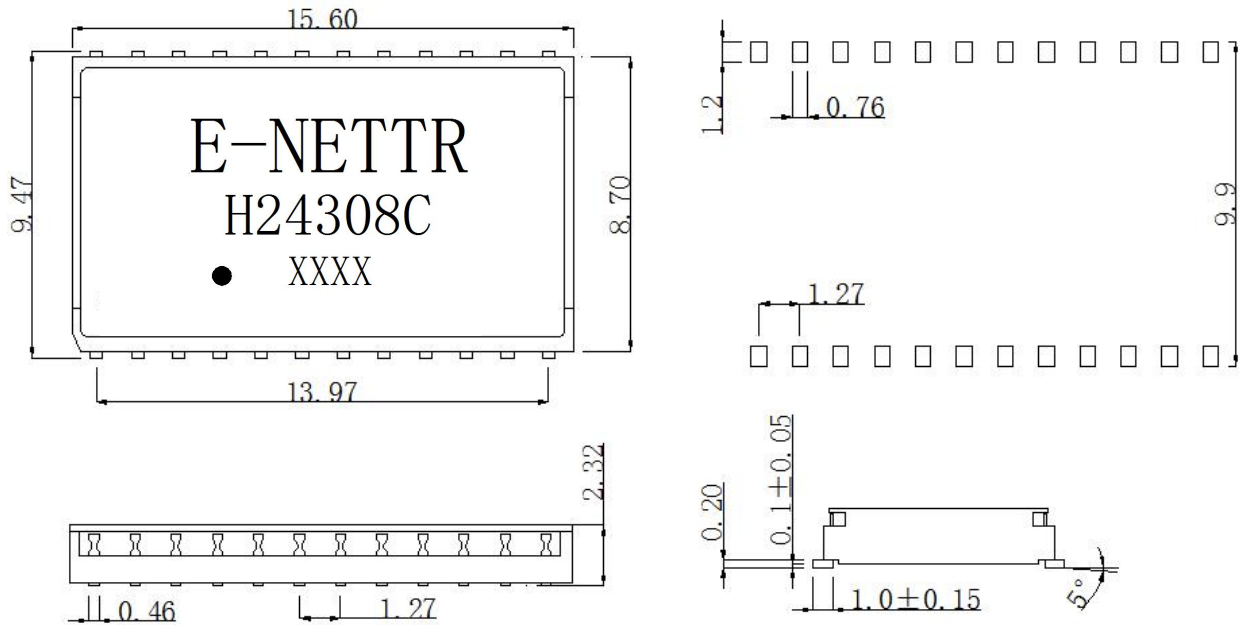
Electrical Specifications@25° C

Part Number	Turn Ratio (±3%)	OCL(uH Min) @ 100KHz/0.1V	L.L (uH Max)	C _{w/w} (pF Max)	DCR (Ω Max)	Hi-Pot (Vrms MIN)
H24308C	1CT:1CT	180	0.5	28	1.0	AC 1500/1mA

Continue

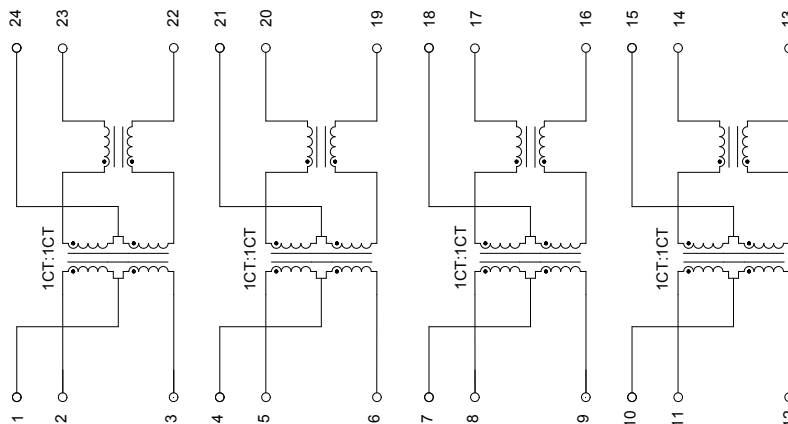
Part Number	Insertion Loss (dB Max)		Return Loss (dB Min)				Cross Talk (dB Min)	DCMR (dB Min)	
	1-100MHz	100-200MHz	1-40MHz	40-80MHz	80-160MHz	160-200MHz		1-60MHz	60-150MHz
H24308C	-1.0	-2.0	-16.0	-13.0	-10.0	-9.5	-30	-35	-30

Mechanical



Unless otherwise specified tolerances: xx.xo ± 0.25mm
o.xx ± 0.05mm

Schematic



东莞市祥星电子有限公司

地址：东莞市石碣镇横滘科技中路第三工业区

TEL:0769-86384669

FAX:0769-81813600

Http://www.e-nettr.com

xxing.guang@163.com