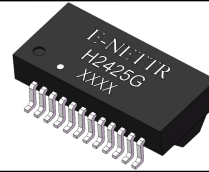




E-NETTR 2.5G BASE-T Transformer Module

P/N: H2425G

- * Designed to meet IEEE802.3ab requirement
- * Lead-Free & Designed to meet RoHS requirement
- * Designed to meet IR 255°C peak Requirement.
- * Operating temperature range: -40°C to +85°C



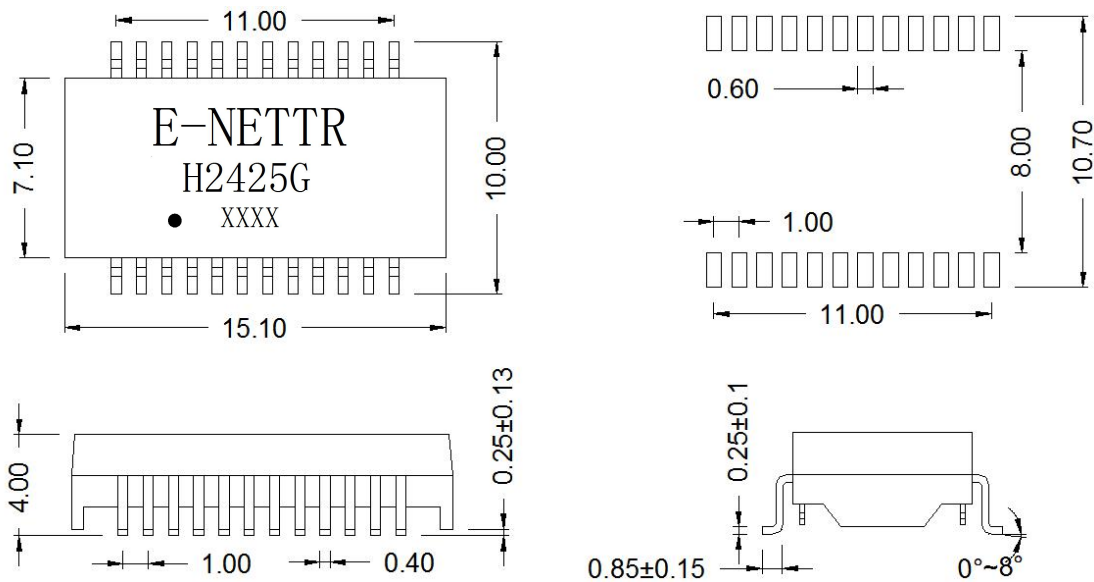
Electrical Specifications@25° C

Part Number	Turn Ratio (±3%)	OCL(uH Min) @ 100KHz/0.1V with 0mA DC Bias	L.L (uH Max)	C _{w/w} (pF Max)	DCR (Ω Max)	Hi-Pot (Vrms MIN)
H2425G	1CT:1CT	180	0.5	28	0.9	AC 1500 / 1mA

Continue

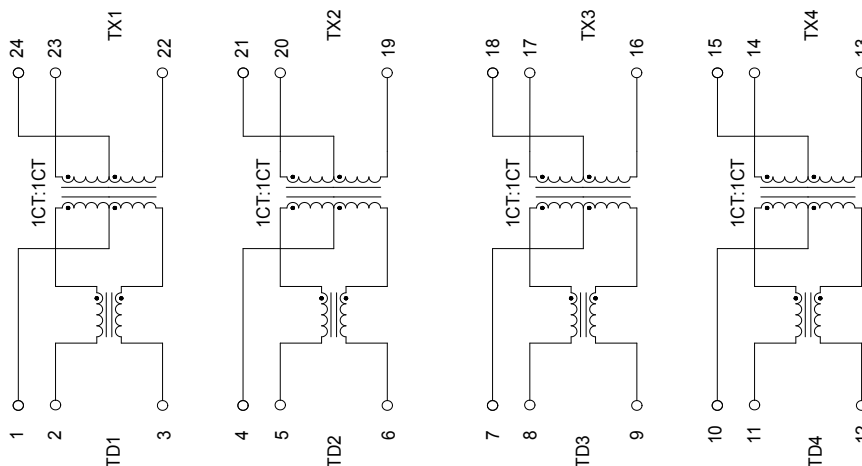
Part Number	Insertion Loss (dB Max)		Return Loss (dB Min)		Cross Talk (dB Min)		DCMR (dB Min)
	1-100MHz	100-125MHz	0.3-40MHz	40-125MHz	1-40MHz	40-125MHz	1-125MHz
H2425G	-1.0	-1.5	-18	-18+15*log(f/40)	-35	-35+15*log(f/40)	-30

Mechanical



Unless otherwise specified tolerances: xx.xo ± 0.25mm
o.xx ± 0.05mm

Schematic



东莞市祥星电子有限公司

地址：东莞市石碣镇横滘科技中路第三工业区

TEL:0769-86384669

FAX:0769-81813600

Http://www.e-nettr.com

xxing.guang@163.com