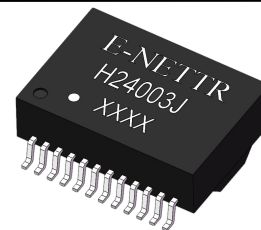




E-NETTR 10G BASE-T Transformer Module

P/N: H24003J

- * Designed to meet IEEE802.3an requirement
- * Complying with RoHS&Halogen Free requirements
- * Designed to meet IR 255°C peak Requirement
- * Primary inductance 120μH min with 11mA DC Bias
- * Operating temperature range:-40°C to +90°C
- * Storage temperature range:-40°C to +90°C
- * POE applications with 720mA current capability



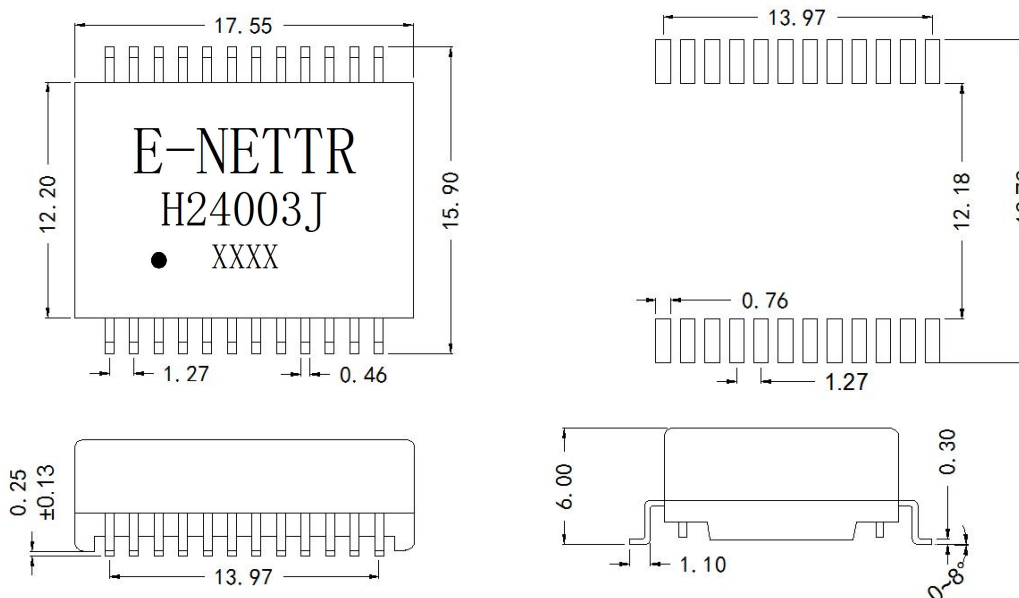
Electrical Specifications@25° C

Part Number	Turn Ratio (±3%)	OCL(uH Min) @ 100KHz/0.1V with 11mA DC Bias	L.L (uH Max)	C _{w/w} (pF Max)	DCR (Ω Max)	Hi-Pot (Vrms MIN)
H24003J	1CT:1CT	120	0.5	28	1.0	AC1500 / 1mA 1S

Continue

Part Number	Insertion Loss (dB Max)			Return Loss (dB Min)			Cross Talk (dB Min)		DCMR (dB Min)	
	1-100MHz	400MHz	500MHz	0.3-40MHz	40- 400MHz	400- 500MHz	1-100MHz	100-500MHz	1-250MHz	250-500MHz
H24003J	-1.0	-1.5	-2.0	-18	-18+10Log ₁₀ (f/40)	-8+30Log ₁₀ (f/400)	-40	-30	-30	-22

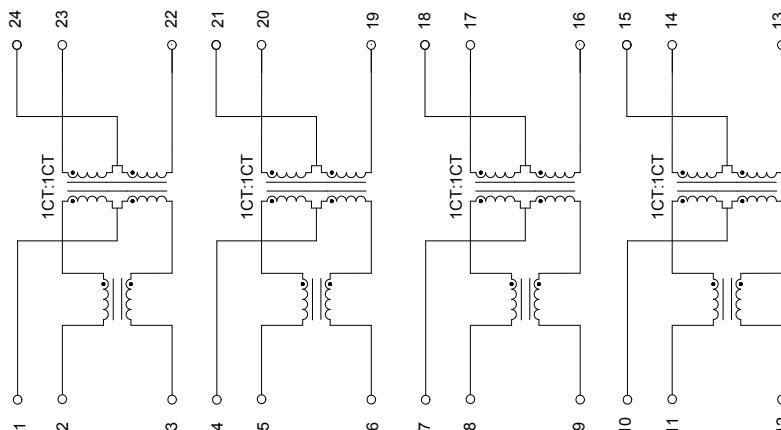
Mechanical



Dimensions: mm

Unless otherwise specified tolerances: xx.xo ± 0.25mm
o.xx ± 0.05mm

Schematic



东莞市祥星电子有限公司

地址：东莞市石碣镇横滘科技中路第三工业区

TEL:0769-86384669

FAX:0769-81813600

Http://www.e-nettr.com

xxing.guang@163.com