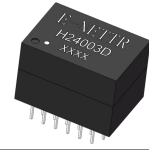




# E-NETTR 10GBase-T Transformer module

**P/N: H24003D**

- \* Compliant With IEEE 802.3at Standard For 10G BASE-T.
- \* POE applications with 720mA current capability.
- \* Compliant with Halogen Free&RoHS requirements.
- \* Operating temperature range: -40°C to +85°C



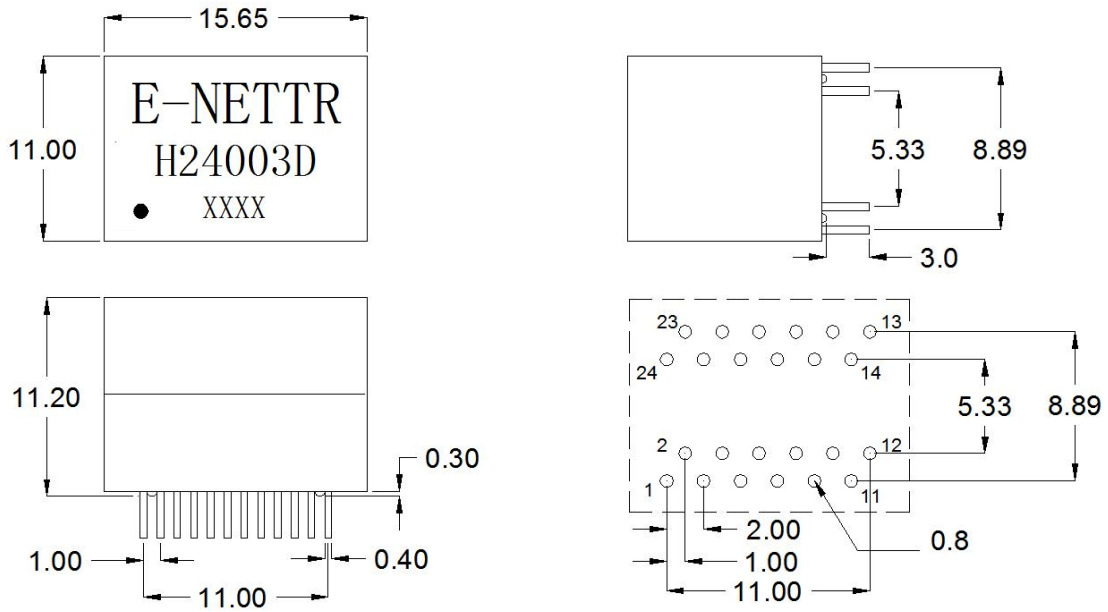
## Electrical Specifications@25° C

Part Number	Turn Ratio (±3%)	OCL(uH Min) @100KHz/0.1V	L.L (uH Max)	C <sub>w/w</sub> (pF Max)	DCR (Ω Max)	Hi-Pot (Vrms MIN)
H24003D	1CT:1CT	120	0.5	28	0.9	AC1500 / 1mA 2S

## Continue

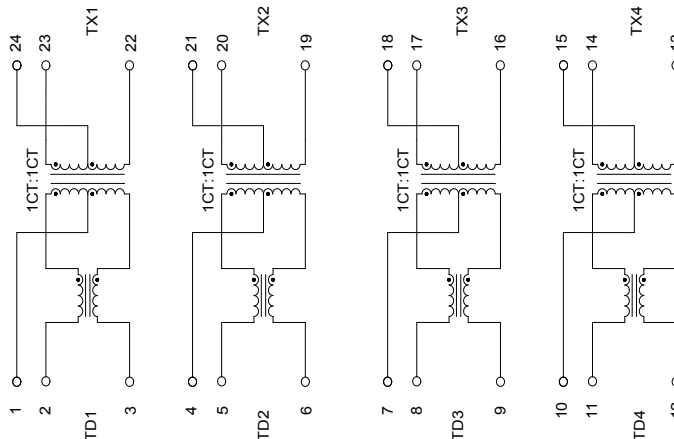
Part Number	Insertion Loss (dB Max)			Return Loss (dB Min) @Load 100Ω		Cross Talk (dB Min)		DCMR (dB Min)	
	1-100MHz	300MHz	500MHz	1-40MHz	100- 500MHz	1-100MHz	100-500MHz	1-250MHz	250-500MHz
H24003D	-1.0	-2.0	-3.0	-16	-16+10Log <sub>10</sub> (f/100)	-35	-25	-30	-20

## Mechanical



Unless otherwise specified tolerances: xx.xo ± 0.25mm  
o.xx ± 0.05mm

## Schematics



东莞市祥星电子有限公司

地址：东莞市石碣镇横滘科技中路第三工业区

TEL:0769-86384669

FAX:0769-81813600

Http://www.e-nettr.com

[xxing.guang@163.com](mailto:xxing.guang@163.com)