

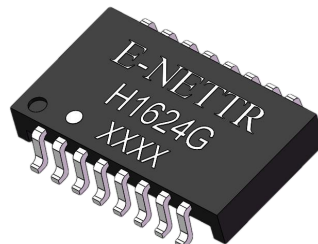


E-NETTR

10/100 Base-T single port transformer Module

P/N:H1624G

- * Designed to meet IEEE802.3u requirement
- * Lead-Free & Designed to meet RoHS requirement
- * Designed to meet IR 255°C peak Requirement.
- * Primary inductance 350uH min with 8mA DC Bias
- * Low Profile package for CardBus Application
- * Operating Temperature Range -40°C to +85°C



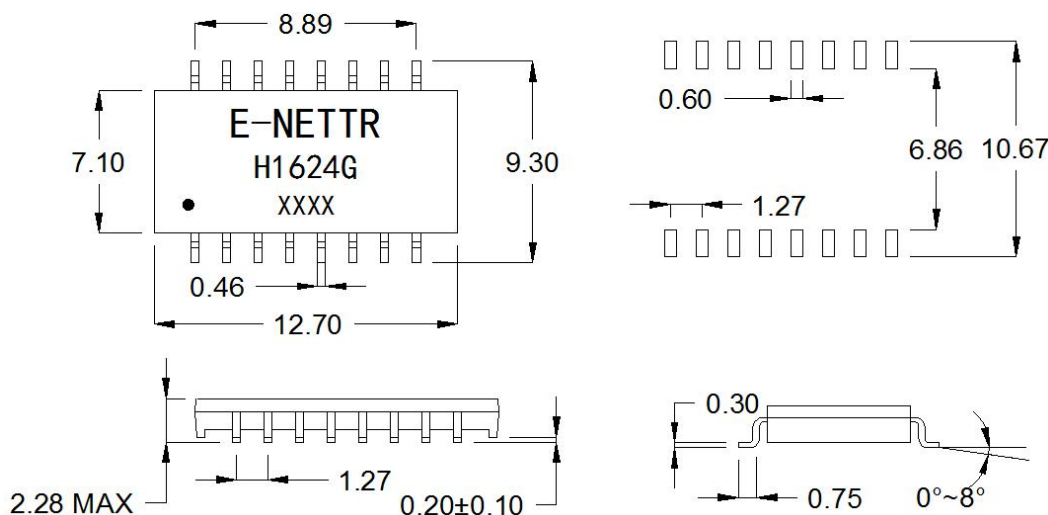
Electrical Specifications@25° C

Part Number	Turn Ratio (±3%)	OCL(uH Min) @ 100KHz/0.1V with 8mA DC Bias	L.L (uH Max)	C _{w/w} (pF Max)	DCR (Ω Max)	Hi-Pot (Vrms MIN)
H1624G	1CT:1CT	350	0.5	28	1.1	AC1500V 1mA

Continue

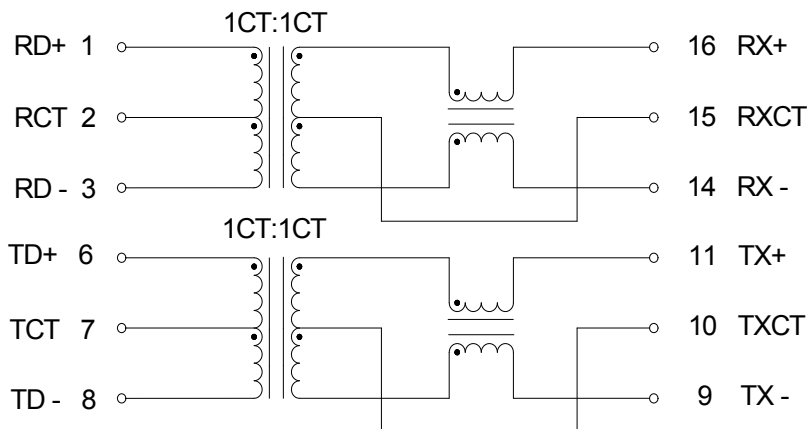
Part Number	Insertion Loss 0.3~100MHZ (dB Max)	Return Loss (dB Min)				Cross Talk (dB Min)		DCMR (dB Min)		
		0.3-30MH	60MHz	80MHz	100MHz	0.3-60MHz	60-100MHz	0.3-30MHz	60MHz	100MHz
H1624G	-1.1	-18	-14	-12	-10	-40	-35	-42	-37	-33

Mechanical



Dimensions: mm
 Unless otherwise specified tolerances: xx.xo± 0.25mm
 o.xx± 0.05mm

Schematics



东莞市祥星电子有限公司

地址：东莞市石碣镇横滘科技中路第三工业区

TEL:0769-86384669

FAX:0769-81813600

Http://www.e-nettr.com

xxing.guang@163.com