

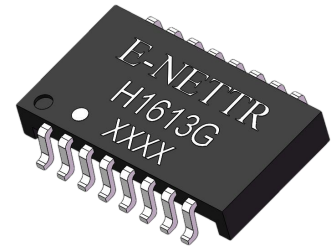


E-NETTR

10/100 Base-T single port transformer Module

P/N: H1613G

- * IEEE 802.3ad/ANSI X3.263 compliant performance
- * Lead-Free & Designed to meet RoHS requirement
- * Designed to meet IR 255°C peak Requirement.
- * Primary inductance 350uH min
- * Operating Temperature Range -40°C to +85°C
- * Storage temperature range: -40°C to +85°C



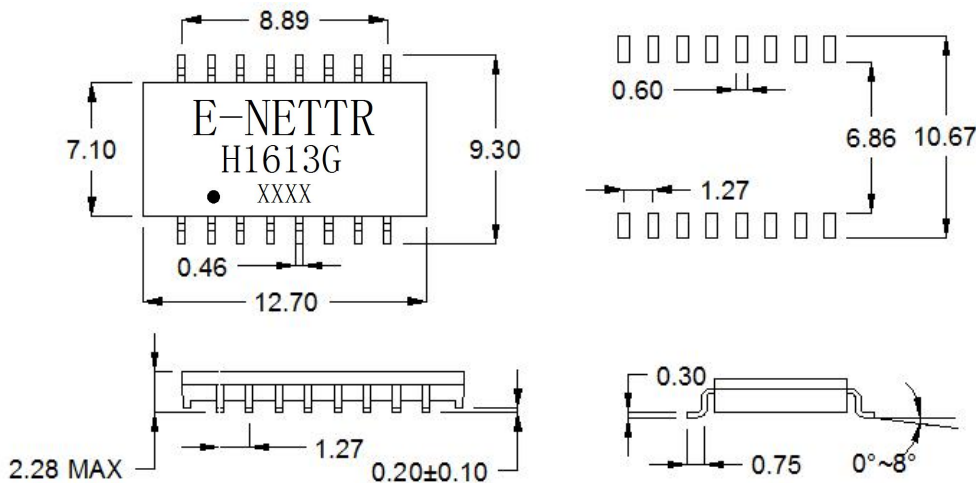
Electrical Specifications@25° C

Part Number	Turn Ratio (±3%)	OCL(uH Min) @ 100KHz/0.1V	L.L (uH Max)	C _{w/w} (pF Max)	DCR (Ω Max)	Hi-Pot (Vrms MIN)
H1613G	1CT:1CT	350	0.4	25	1.2	AC 1500V/ 1mA

Continue

Part Number	Insertion Loss 0.3~100MHZ (dB Max)	Return Loss (dB Min)			Cross Talk (dB Min)			DCMR (dB Min)		
		0.3-30MH	60MHz	80MHz	0.3-30MHz	50MHz	100MHz	0.3-30MHz	60MHz	100MHz
H1613G	-0.9	-16	-14	-12	-35	-33	-30	-50	-45	-40

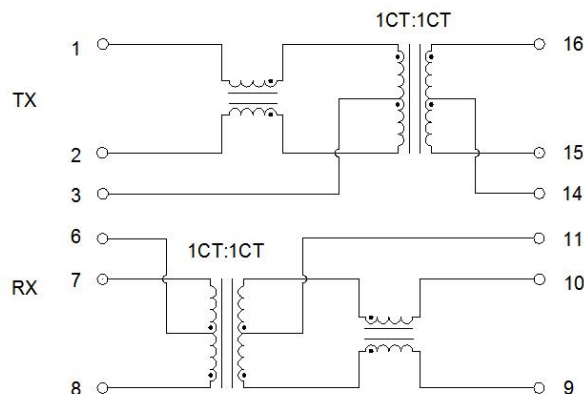
Mechanical



Dimensions: mm

Unless otherwise specified tolerances: xx.xo ± 0.25mm
o.xx ± 0.05mm

Schematics



东莞市祥星电子有限公司

地址：东莞市石碣镇横滘科技中路第三工业区

TEL:0769-86384669

FAX:0769-81813600

Http://www.e-nettr.com

xxing.guang@163.com