



E-NETTR 10/100 Base-T Single Port Transformer Module

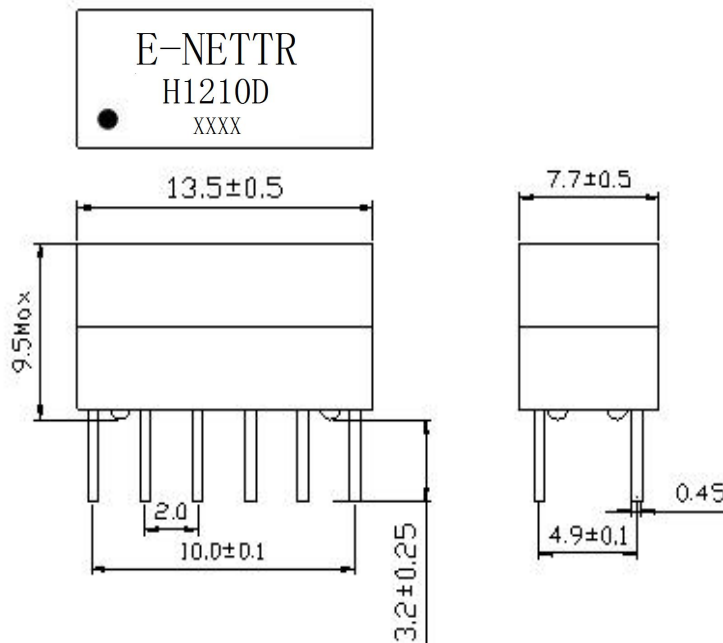
P/N: H1210D

- 0 Designed to meet IEEE802.3ab requirement
- 0 Lead-Free & Designed to meet RoHS requirement
- 0 Designed to meet IR 255°C peak Requirement.
- 0 Primary inductance 350μH min. with 8mA DC Bias
- 0 Operating temperature range: -40°C to +85°C
- 0 Storage temperature range: -40°C to +85°C

Electrical Specifications@25° C

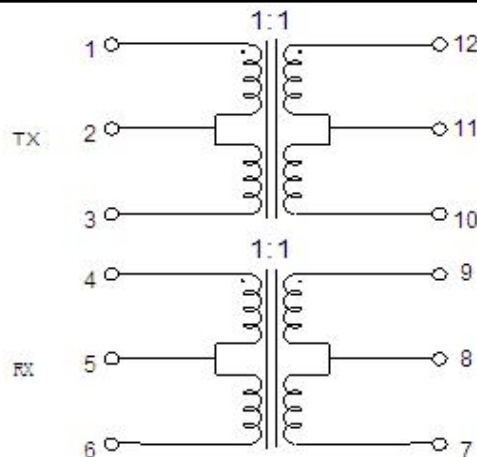
Part Number	Turn Ratio	Insertion Loss 0.3~100MHZ (dB Max)	Return Loss (dB Min)			Cross Talk (dB Min)			DCMR (dB Min)			Hi-Pot (Vrms MIN)
			30MHz	60MHz	100MHz	30MHz	60MHz	100MHz	30MHz	60MHz	100MHz	
H1210D	1CT:1CT	-1.1	-18	-14.5	-12	-50	-40	-33	-38	-38	-30	1500

Mechanical



Unless otherwise specified tolerances: xx.xo ± 0.25mm
o.xx ± 0.05mm

Schematic



东莞市祥星电子有限公司

地址：东莞市石碣镇横滘科技中路第三工业区

TEL:0769-86384669

FAX:0769-81813600

Http://www.e-nettr.com

xxing.guang@163.com