



E-NETTR 10/100 Base-T Single Port Transformer module

P/N: H1202D

- * Designed to meet IEEE802.3ab requirement
- * Lead-Free & Designed to meet RoHS requirement
- * Primary inductance 350uH Min with 8mA DC Bias
- * Operating Temperature Range -40°C to +85°C
- * Storage temperature range: -40°C to +85°C

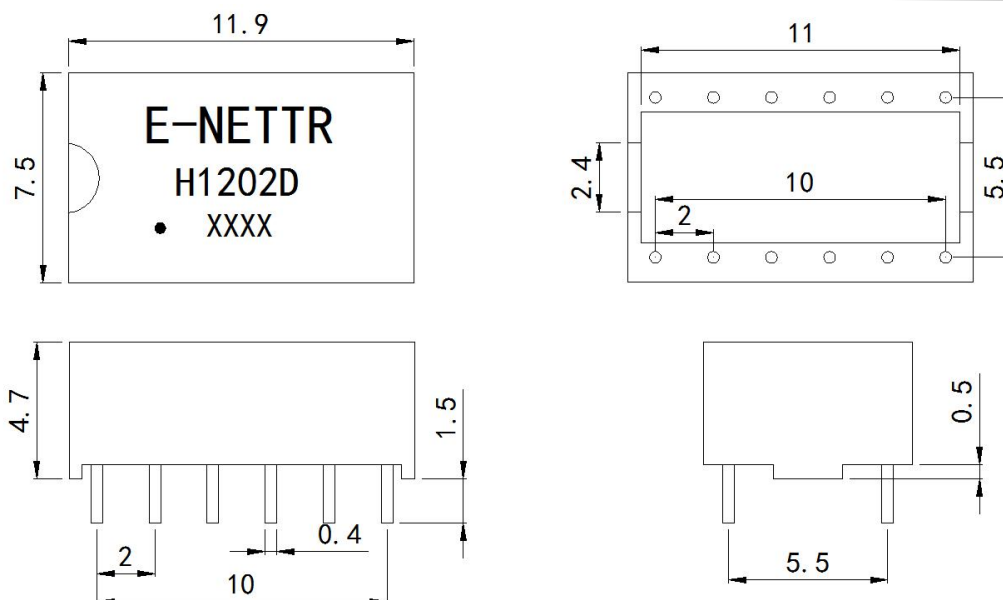
Electrical Specifications @ 25° C

Part Number	Turn Ratio (±3%)	OCL(uH Min) @ 100KHz/0.1V with 8mA DC Bias	L.L (uH Max)	C _{w/w} (pF Max)	DCR (Ω Max)	Hi-Pot (V _{rms} MIN)
H1202D	1CT:1CT	365	0.5	28	1.1	AC1500V 1mA 1S

Continue

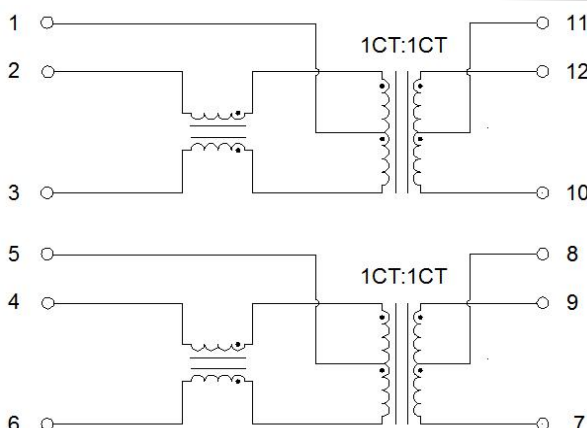
Part Number	Insertion Loss 0.3~100MHz (dB Max)	Return Loss (dB Min)					Cross Talk (dB Min)			DCMR (dB Min)		
		0.3-30MHz	40MHz	50MHz	60-80MHz	100MHz	30MHz	60MHz	100MHz	30MHz	60MHz	100MHz
H1202D	-1.1	-18	-14.4	-13.1	-12	-10	-40	-35	-30	-40	-35	-30

Mechanical



Unless otherwise specified tolerances: xx.xo ± 0.25mm
o.xx ± 0.05mm

Schematics



东莞市祥星电子有限公司

地址: 东莞市石碣镇横滘科技中路第三工业区

TEL:0769-86384669

FAX:0769-81813600

Http://www.e-nettr.com

xxing.guang@163.com